



Total Solution Provider in Saw Device

SA1575SQ1

GPS RF SAW Filter
Revision 0: June 2009



- Electrical Characteristics
 - Package Dimensions
 - Testing Environment
 - Frequency Characteristics
-

SAWNICS Inc.

460 Cheonheung-ri, Seonggeo-eup, Cheonan-si, Chungcheongnam-do, 330-836 / Korea.
Tel: +82 41 550 9372 / Fax: +82 41 550 9399 / www.sawnics.com

□ Electrical Characteristics

Maximum Ratings

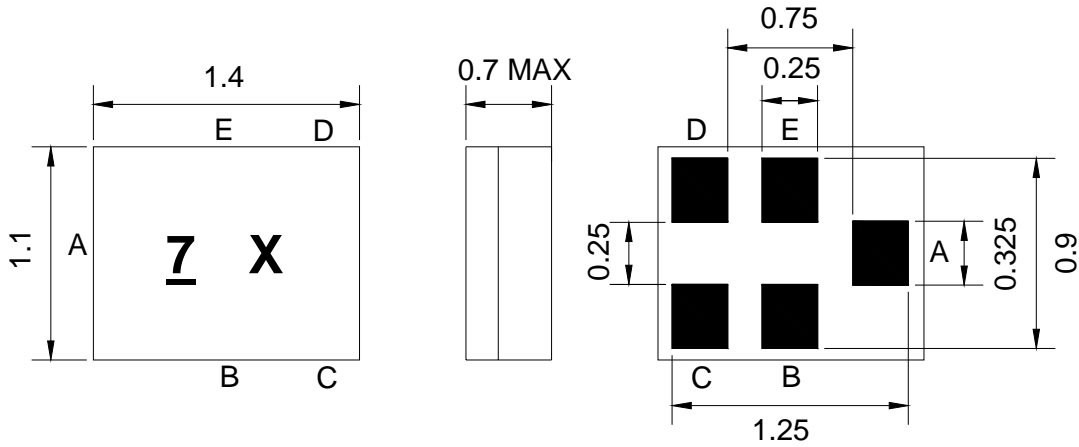
Parameters Description	Unit	Minimum	Typical	Maximum
Operating Temperature Range	°C	-40	-	+85
Storage Temperature Range	°C	-40	-	+85
Maximum DC Voltage	V	-	-	3
Maximum Input Power	dBm	-	-	15
Source Impedance (single ended) ⁽¹⁾	Ω	-	50	-
Load Impedance (single ended) ⁽¹⁾	Ω	-	50	-
Package type & size	Q1			
Length x Width	mm ²	-	1.4 x 1.1	-
Height	mm	-	-	0.7

Electrical Specification

Parameters Description	Unit	Minimum	Typical	Maximum
Center Frequency (Fo)	MHz	-	1575.42	-
Max.Insertion Loss within 1574.42~1576.42 MHz	dB	-	0.9	1.5
Amplitude Ripple within 1574.42~1576.42 MHz	dB _{p-p}	-	0.1	0.75
2dB Bandwidth	MHz	-	40	-
Attenuation:				
D.C. ~ 1450.0 MHz	dB	35	38	-
1450.0 ~ 1520.0 MHz	dB	30	45	-
1625.0 ~ 1640.0 MHz	dB	45	48	-
1640.0 ~ 1805.0 MHz	dB	38	40	-
1805.0 ~ 1910.0 MHz	dB	38	40	-
1910.0 ~ 2000.0 MHz	dB	38	43	-
2000.0 ~ 4000.0 MHz	dB	30	45	-
4000.0 ~ 6000.0 MHz	dB	20	22	-
VSWR within 1574.42~1576.42 MHz	-	-	1.15	1.6

Notes : (1) No Matching Network (Ref. Testing Environment Circuit as shown below).

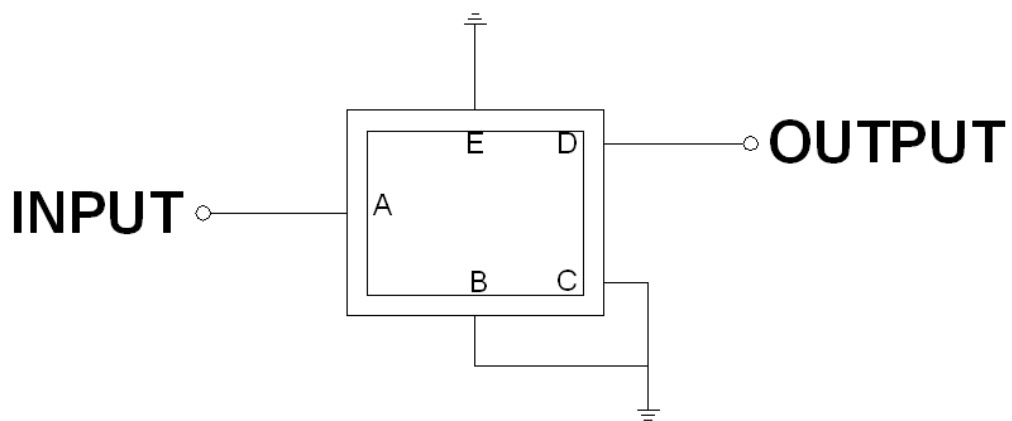
Package Dimensions



Marking Descriptions	
Z	Series Number
X	Date Code(Year+Month)

Pin Description	
B, C, E	Ground
A	In
D	Out

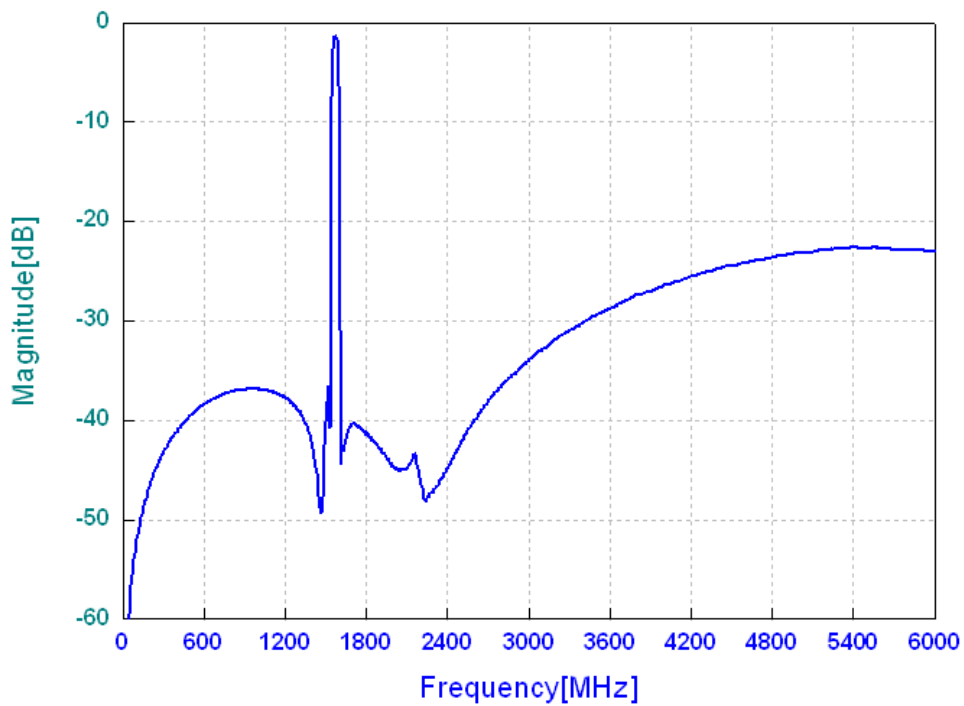
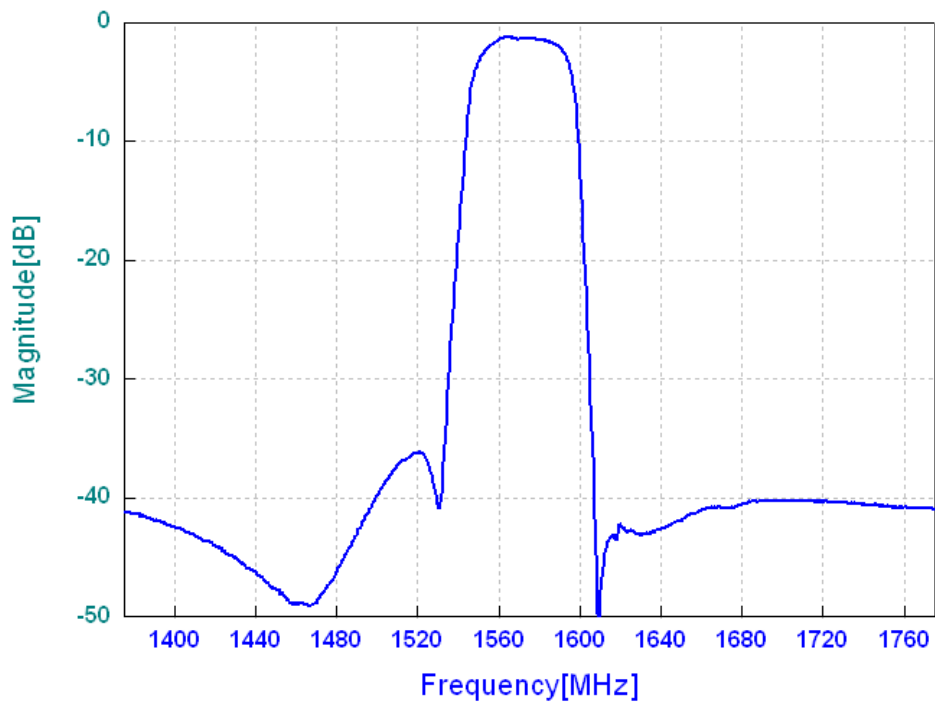
Testing Environment



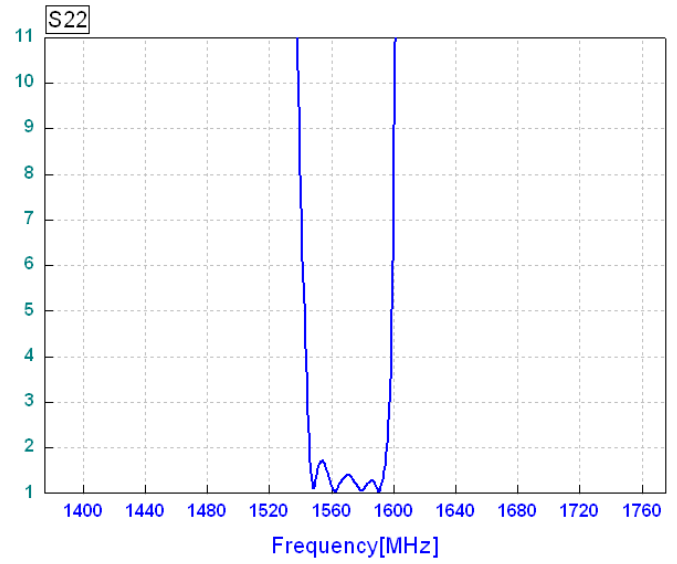
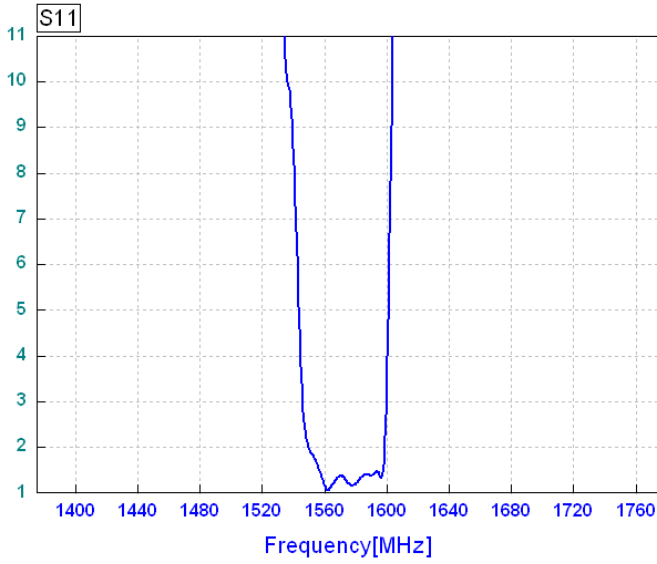
Source & Load Impedance: 50 Ω

□ Frequency Characteristics

Frequency Response



VSWR



Smith Chart

